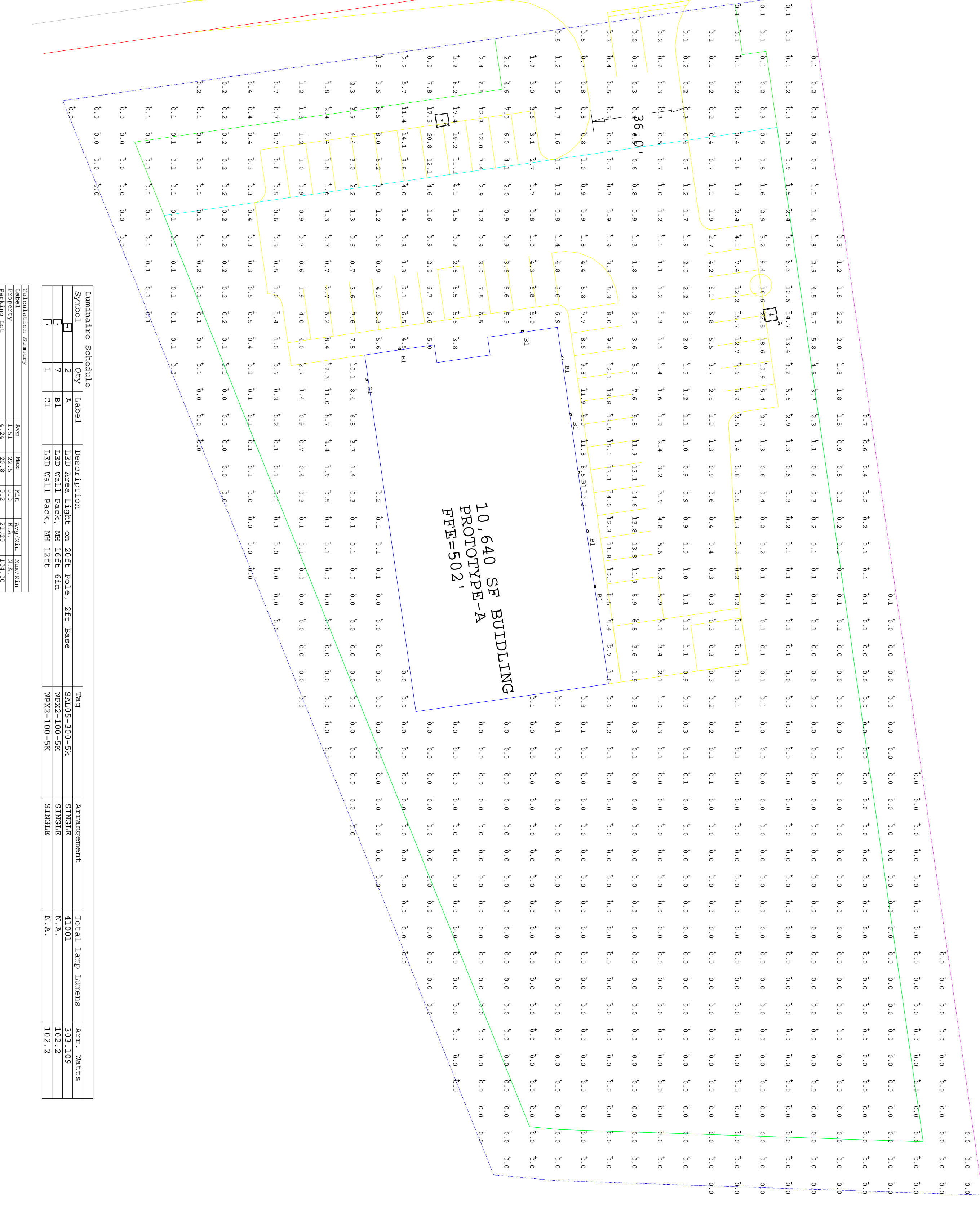


PROPOSED LOT 2 116,155 SF
 ±2.67 ACRES
 PROPOSED ZONING : R1

10,640 SF BUILDING
 PROTOTYPE-A
 FFR=502'



**PHOTOMETRIC EVALUATION
 NOT FOR CONSTRUCTION**

Based on the information provided, all dimensions and luminaire locations shown represent recommended positions. By providing this information document, Shannon & Associates assumes no liability in the accuracy of the data provided or compliance to any UDC requirements. The engineer and/or architect must determine the applicability of the layout to existing or future field conditions. This lighting plan represents illumination levels calculated from laboratory data taken under controlled conditions in accordance with The Illuminating Engineering Society (IES) approved methods. Actual performance of any manufacturer's luminaires may vary due to changes in electrical voltage, tolerance in lamps/LEDs and other variable field conditions. Calculations do not include obstructions such as buildings, curbs, landscaping, or any other architectural elements unless noted. Fixture nomenclature noted does not include mounting hardware or poles. This drawing is for photometric evaluation purposes only and should not be used as a construction document or as a final document for ordering product.

Symbol	Qty	Label	Description	Tag	Arrangement	Total Lamp Lumens	Arr. Watts
□	2	A1	LED Area Light on 20' Pole, ZTC Base	SA105-300-5K	SINGLE	4100	303.109
□	7	R1	LED Wall Pack, MH 15' FC 6in	W22-100-5K	SINGLE	1022	102.2
□	1	C1	LED Wall Pack, MH 12' FC	W22-100-5K	SINGLE	N/A	102.2
Calculation Summary							
Area	2.67	Acres					
Perimeter	4.24	Feet					
Perimeter	30.8	Feet					
Perimeter	0.2	Miles					
Perimeter	31.30	Feet					
Perimeter	134.00	Feet					

PURCHASING INFORMATION
 Tom Fulton
 (704) 640-6134
 t.fulton@shannonandassoc.com

JOB NAME:	Dollar General						
JOB LOCATION:	Pittsboro, NC						
DRAWN BY:	SA						
DRAWING STATUS:	REVIEW						
DATE:	09/10/24						
DWG#	SA-090524	PG 1	OF 1				

Shannon & Associates
 (704) 640-6134
 www.shannonandassoc.com

Catalog:	
Project:	
Type:	Date:
Notes:	

LED Shoebox Area Light

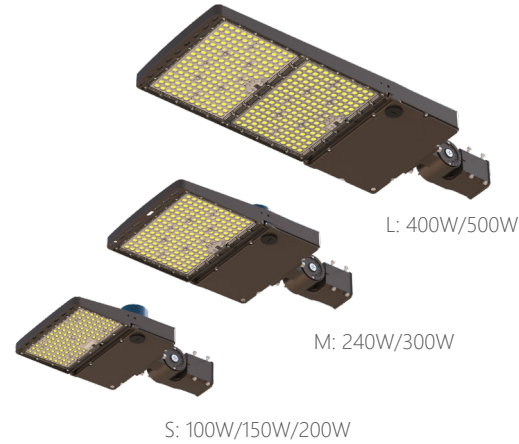
TK-SAL05™ Series

Description

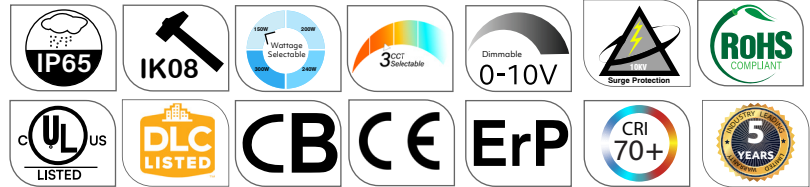
TekTron's Shoebox Area Light series provides a secure and versatile lighting solution, unlike mercury vapor, metal halide, and high-pressure sodium lighting fixtures. The product uses Lumileds LED, and can be powered by LiFud, sosen, or DONE driver. They also save on energy and maintenance costs, while being better for the environment.

Applications

It is suitable for parking lots, street lights, and other open spaces such as parks, fields, yards, walkways, and roads.



Quick Ship
TK-SAL05-300W-3CCT-TYPE3-M



Specification Features

Controls / Dimming

0-10V dimmable. The fixture comes with the option of an occupancy and photocell sensors. The product has a die-cast structure of aluminum alloy with high thermal conductivity, a powder-coated finish, and a PC lens.

Warranty

5 Years Limited Warranty.
For more information visit us at,
www.technoledlights.com/warrantyinfo

Certification

It complies with UL Listings, DLC listings, CB, CE Certified, RoHS Compliant, ErP Certified, IP65 Rated.

Installation / Mounting

The installation process is straight forward and offers a range of mounting possibilities. SF Bracket, EA Bracket YK Bracket, TR Bracket, TR Bracket

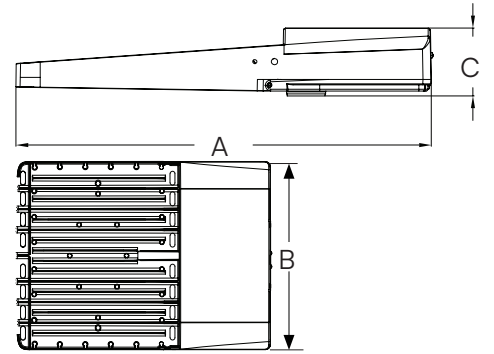
Ordering Information Example: TK-SAL05-300W-50K-CCPS

TK	SAL05	300W	3CCT	TYPE3	PS	Blank
Brand	Series	Watts <small>(wattage Selectable)</small>	Color Temp	Beam Angle	Options	Voltage
TK - TekTron	SAL05 - Shoebox Area light Series 5	100W - 50W/65W/80W/100W S - 150W - 80W/100W/120W/150W 200W - 100W/120W/150W/200W M - 240W - 120W/150W/200W/240W 300W - 150W/200W/240W/300W L - 400W - 200W/240W/300W/400W 500W - 240W/300W/400W/500W	30K - 3000K 3CCT - 40K - 4000K 50K - 5000K 40K - 4000K 3CCT - 50K - 5000K 57K - 5700K (Optional)	T2 Type II T3 Type III T4 Type IV T5 Type V	[Blank] Standard PS3 - NEMA 3pin Receptacle and Photocell PS5 - NEMA 5pin Receptacle PS7 - NEMA 7pin Receptacle	[Blank] AC100-277V (standard) AC120-480V (optional) AC200-480V (optional) Finish B - Bronze (standard)

Specification Features

Input Voltage	AC120-277V or AC120-480V or AC200-480V
Color Temperature (3CCT)	3000K/4000K/5000K or 4000K/5000K/5700K
Luminous efficacy (Lm/W)	Upto 160 Lm/W
Color Rendering Index (CRI)	70+
Dimmable	0-10V
Power Factor	≥ 0.90
Operating Temperature	-40°C ~ +45°C
IP Rating	IP 65 Rated
Total Harmonic Distortion (THD)	≤ 20%
Life Span	50,000+ Hrs

Dimensions



Part Number	A (Length)	B (Width)	C (Height)
TK-SAL05-S (100W-150W-200W)	12.32 inches	11.30 inches	2.52 inches
TK-SAL05-M (240W-300W)	16.57 inches	12.20 inches	2.71 inches
TK-SAL05-L (400W-500W)	26.77 inches	12.17 inches	2.80 inches

Optional Accessories

Single Person Installation (Mounting Options)

This design allows you to easily and securely install the product by sliding and locking it in place.



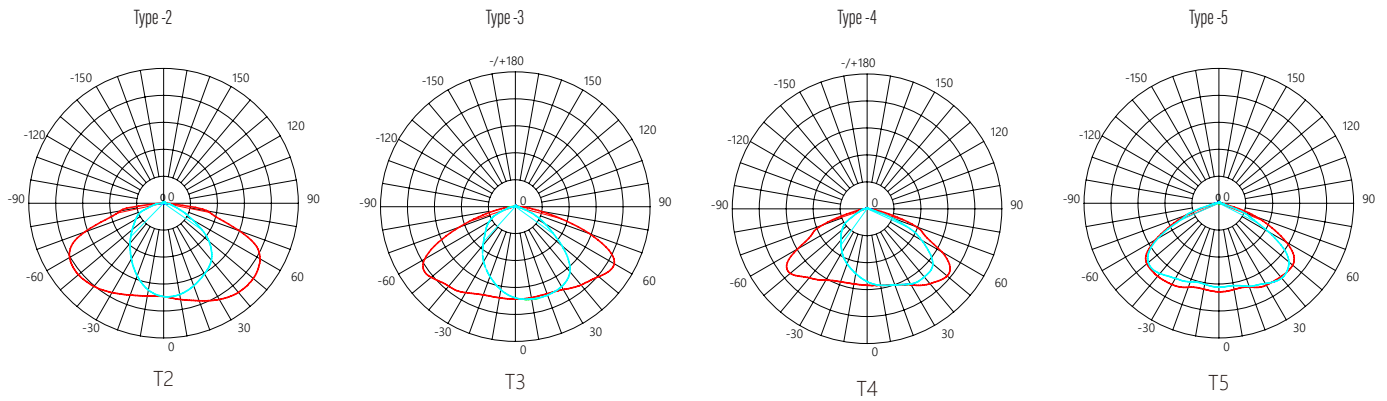
Slip Fitter Bracket

EA Bracket

YK Bracket

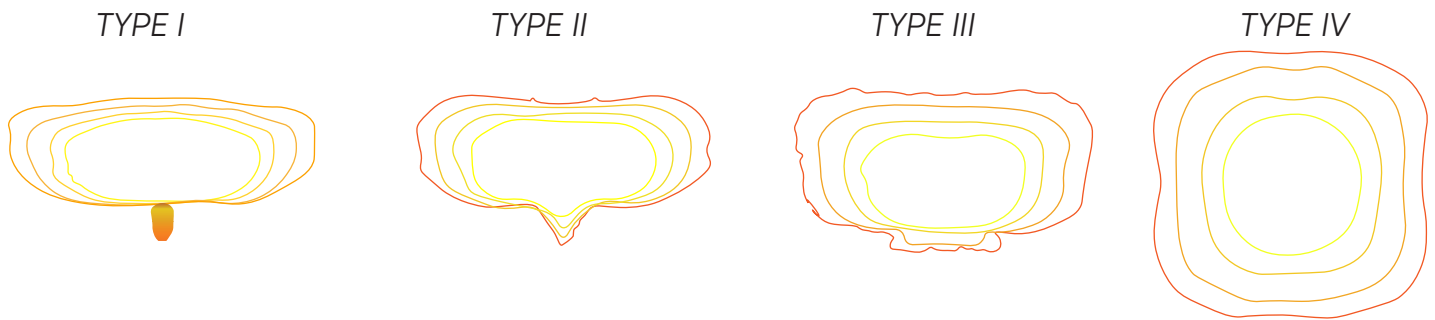
TR Bracket

Photometrics



Internal Reflectance Optic Technology

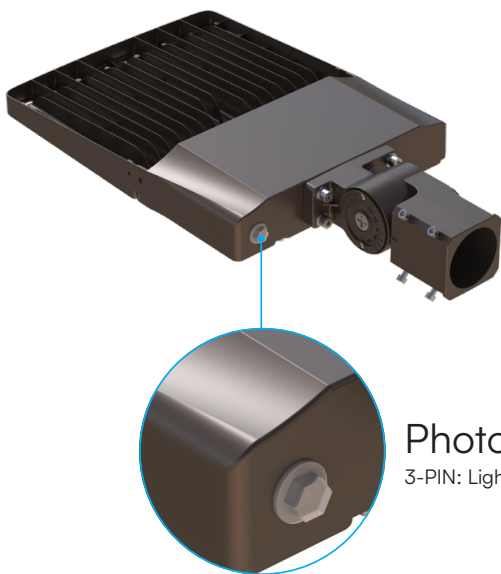
This technology gives better optical control to make the light level more uniform and prevent the loss of light. It has a simple layout and installation that saves poles, energy, installation costs and enhances visibility. It meets the Dark Sky standards with no light spill or glare.



Light Control Solution (Optional)

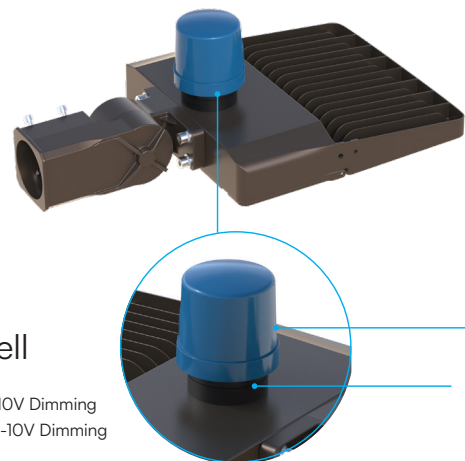
1. Cost-Effective Light Controlled Accessories

2. Multi-function Light Controlled Accessories



Photocell

3-PIN: Lighting Switch



NEMA+Photocell

3-PIN: Lighting Switch

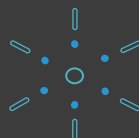
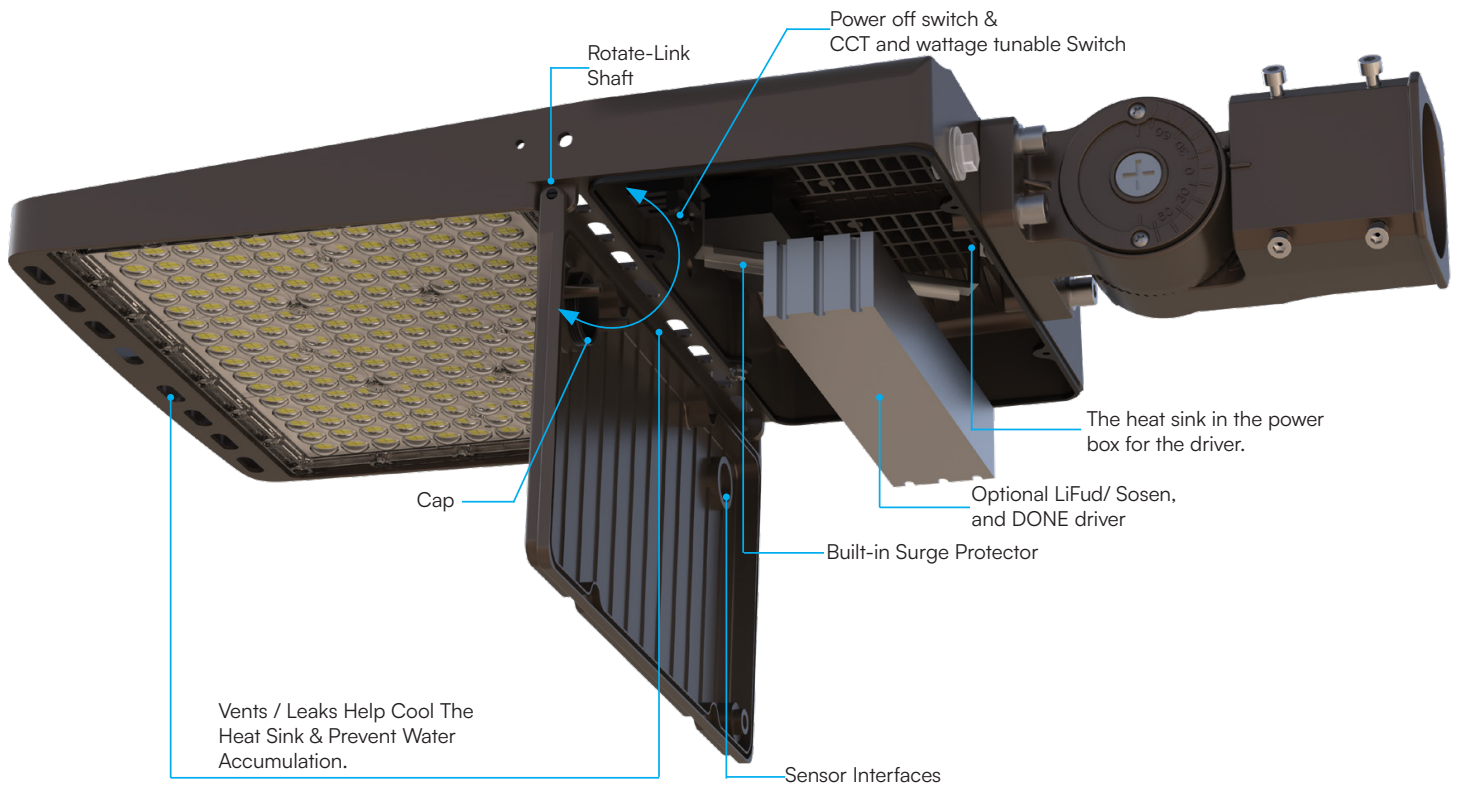
5-PIN: Expandable DALI or 0-10V Dimming

7-PIN: Expandable DALI and 0-10V Dimming

Photocell

+ NEMA

Infographic



Catalog:	
Project:	
Type:	Date:
Notes:	

CCT & Watt Selection Full Cut-off Wallpack

TK-WPX2™ Series

Description

TekTron's LED Full Cut-off wallpack is a durable and energy-efficient lighting solution for outdoor wet locations. It features a die-casting aluminum housing and heatsink with a PC material lens and type III short distribution, which can be adjusted to different angles and mounted on the wall.



Applications

This is an ideal commercial out door fixture for buildings, and easily replace to any semi cut-off & full cut-off wall packs.

Quick Ship

- TK-WPX2S-65830/40/50
- TK-WPX2M-100830/40/50
- TK-WPX2S-65830/40/50
- TK-WPX2M-100830/40/50



Specification Features

Controls / Dimming

0-10V dimming, 3 lumens & 3 wattage output selectable by The DIP switch. Die-casting aluminum housing and heatsink. IP65 rated and suitable for using in outdoor wet location. Photocell sensor and Motion sensor options available with field installation.

Warranty

5 Years Limited Warranty.
For more information visit us at,
www.technoledlights.com/warrantyinfo

Certification

It complies with ETL Listing, DLC Premium, TITILE 24, and IP65 Rated.

Installation / Mounting

The installation process is straight forward and offers a range of mounting possibilities. Up or Down installation available. Optional for outlet box for surface wall mount.

Ordering Information

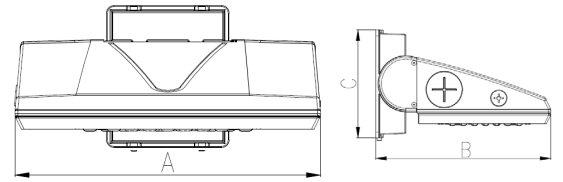
Example: TK-WPX2S-100830/40/50

TK	WPX2	S	100	8	30/40/50	D1	BR	[BLANK]
Brand	Series	Size	Watts <small>(Wattage Changeable)</small>	CRI	Color Temp	Dimming	Finish	[Voltage]
TK - TekTron	WPX2 - Wall Pack X2	S - Small M - Medium	65 - 30W/50W/65W 100 - 60W/80W/100W	8 - 80+ CRI	30K - 3000K T - 40K - 4000K 50K - 5000K } CCT Selectable 30 - 3000K 35 - 3500K 40 - 4000K 50 - 5000K 65 - 6500K } Single Color Optional	D1- Dimming 0-10V with 12	BR-Brown W - White B- Black	Blank - 120-277V 347 - 120-347V [Options] SPD Outlet Box EMBB Photocell Motion Sensor

Specification Features

Input Voltage	120-277 VAC / 120-347 50/60HZ
Color Temperature (CCT)	3CCT - 3000K/4000K/5000K
Luminous efficacy (Lm/W)	120 - 140 Lm/W (5050 SMD LED)
Color Rendering Index (CRI)	Ra>80
Dimmable	0-10V
Power Factor	>0.90
Operating Temperature	-30°C ~ 45°C
Life Span	50,000+ Hrs

Product Dimension

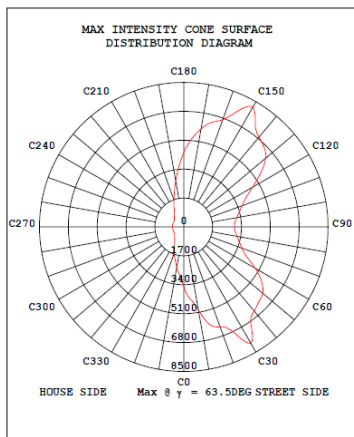
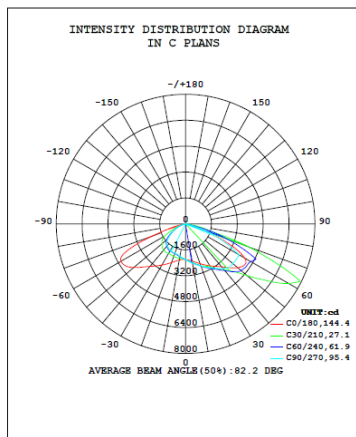


Part Number	A (Length)	B (Width)	C (Height)
TK-WPX2S	9.71 Inches	8.74 Inches	5.92 Inches
TK-WPX2M	12.78 Inches	12.78 Inches	5.92 Inches

Photometric

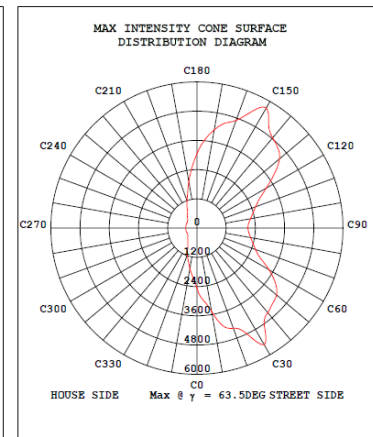
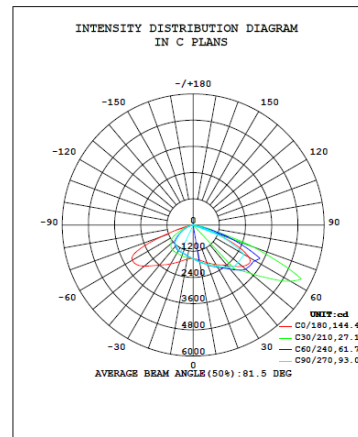
Medium 100W 5000K

DATA OF LAMP		PHOTOMETRIC DATA				Eff: 135.82 lm/W
MODEL		Imax(cd)	8133	η street_up(%)	0.0	
NOMINAL POWER (W)	100	LOR(%)	100.0	η street_down(%)	70.3	
RATED VOLTAGE (V)	120	TOTAL FLUX(lm)	13054	η house_up(%)	0.0	
NOMINAL FLUX (lm)	13053.9	MAXIMUM @ (C, γ)	150,63.5	η house_down(%)	29.7	
LAMPS INSIDE	1	η up(%)	0.0	76 FLASHAREA(m2)		
TEST VOLTAGE (V)	120.7	η down(%)	100.0	SLI		

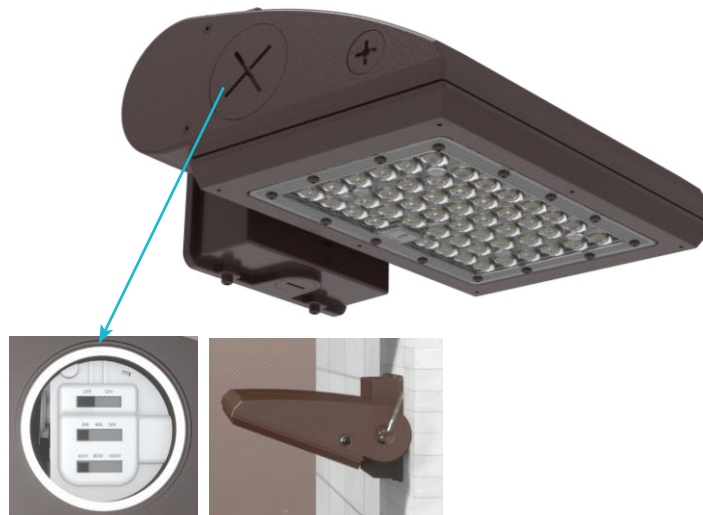


Medium 40W 5000K

DATA OF LAMP		PHOTOMETRIC DATA				Eff: 145.58 lm/W
MODEL		Imax(cd)	5695	η street_up(%)	0.0	
NOMINAL POWER (W)	60	LOR(%)	100.0	η street_down(%)	70.3	
RATED VOLTAGE (V)	120	TOTAL FLUX(lm)	9138	η house_up(%)	0.0	
NOMINAL FLUX (lm)	9138	MAXIMUM @ (C, γ)	150,63.5	η house_down(%)	29.7	
LAMPS INSIDE	1	η up(%)	0.0	76 FLASHAREA(m2)		
TEST VOLTAGE (V)	120.7	η down(%)	100.0	SLI		



CCT And Wattage Changeable Switch



Optional Accessories



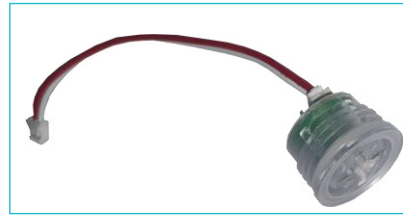
Outlet Box



9W EMBB



10KV SPD



Photocell



Dimmers

For Reference Only (Compatible Dimmer Listings)

The testing done by TekTron's does not mean or guarantee that the product meets the standards or certifications of any independent laboratory or other authority. For more details on the product's standards and certifications, please refer to the manufacturer specifications. Before installing the product, please check with the dimmer manufacturer to make sure they are compatible.

Manufacturer	Product/PartNumber	Part Number	Dimmed Light Output Range
Lithonia	Slide Dimmer, 0-10V DC, 1500W for LED and CFL Lighting, Single Pole, 3-Way Wiring, Allows on/offswitching without disturbing light level, Fits Standard Single or Multi-gang switch boxes.	ISD BC 120/277 WH	5% - 100%
Cooper	Slide Dimmer, 0-10V, 120/277VAC 60Hz, 1200/1600W for LED and CFL Lighting, Single Pole, 3-Way Operation, Commercial/Residential Application, Title 24 Compliant.	SF10P-W	5% - 100%
Lutron	Diva Dimmer, 0-10V, 120 to 277VAC 50/60Hz, 8 Amp, 2216W for LED and CFL Lighting, Single Pole, 3-Way Operation. Commercial/Residential, Indoor Application.	DVSTV-WH	5% - 100%
Leviton	IllumaTech Mark 7 Dimmer, 0-10V, 120/277VAC 60Hz, 1200/1500W for LED and CFL Lighting, Electro Mechanical Preset On/Off Switch, Single Pole, 3-Way Operation, Commercial/Residential Application.	IP710-DLZ	5% - 100%

Installation

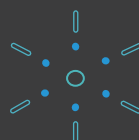
1. Fix the installation J-BOX plate



2. Fix the aircraft cable and wires



3. Fix the fixture.



Catalog:	
Project:	
Type:	Date:
Notes:	

CCT & Watt Selection Full Cut-off Wallpack

TK-WPX2™ Series

Description

TekTron's LED Full Cut-off wallpack is a durable and energy-efficient lighting solution for outdoor wet locations. It features a die-casting aluminum housing and heatsink with a PC material lens and type III short distribution, which can be adjusted to different angles and mounted on the wall.



Applications

This is an ideal commercial out door fixture for buildings, and easily replace to any semi cut-off & full cut-off wall packs.

Quick Ship

- TK-WPX2S-65830/40/50
- TK-WPX2M-100830/40/50
- TK-WPX2S-65830/40/50
- TK-WPX2M-100830/40/50



Specification Features

Controls / Dimming

0-10V dimming, 3 lumens & 3 wattage output selectable by The DIP switch. Die-casting aluminum housing and heatsink. IP65 rated and suitable for using in outdoor wet location. Photocell sensor and Motion sensor options available with field installation.

Warranty

5 Years Limited Warranty.
For more information visit us at, www.technoledlights.com/warrantyinfo

Certification

It complies with ETL Listing, DLC Premium, TITILE 24, and IP65 Rated.

Installation / Mounting

The installation process is straight forward and offers a range of mounting possibilities. Up or Down installation available. Optional for outlet box for surface wall mount.

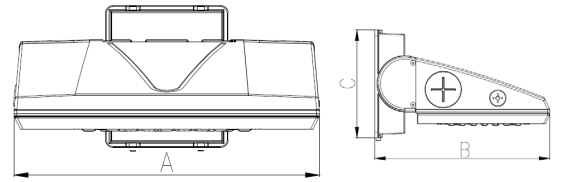
Ordering Information Example: TK-WPX2S-100830/40/50

TK	WPX2	S	100	8	30/40/50	D1	BR	[BLANK]
Brand	Series	Size	Watts <small>(Wattage Changeable)</small>	CRI	Color Temp	Dimming	Finish	[Voltage]
TK - TekTron	WPX2 - Wall Pack X2	S - Small M - Medium	65 - 30W/50W/65W 100 - 60W/80W/100W	8 - 80+ CRI	30K - 3000K T - 40K - 4000K 50K - 5000K } CCT Selectable 30 - 3000K 35 - 3500K 40 - 4000K 50 - 5000K 65 - 6500K } Single Color Optional	D1- Dimming 0-10V with 12	BR-Brown W - White B- Black	Blank - 120-277V 347 - 120-347V [Options] SPD Outlet Box EMBB Photocell Motion Sensor

Specification Features

Input Voltage	120-277 VAC / 120-347 50/60HZ
Color Temperature (CCT)	3CCT - 3000K/4000K/5000K
Luminous efficacy (Lm/W)	120 - 140 Lm/W (5050 SMD LED)
Color Rendering Index (CRI)	Ra>80
Dimmable	0-10V
Power Factor	>0.90
Operating Temperature	-30°C ~ 45°C
Life Span	50,000+ Hrs

Product Dimension

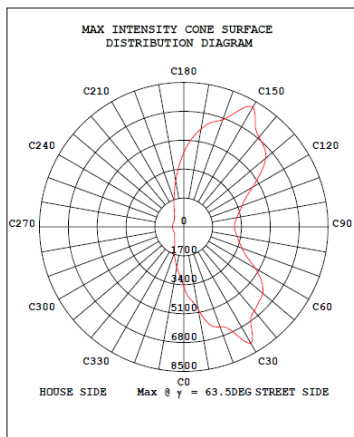
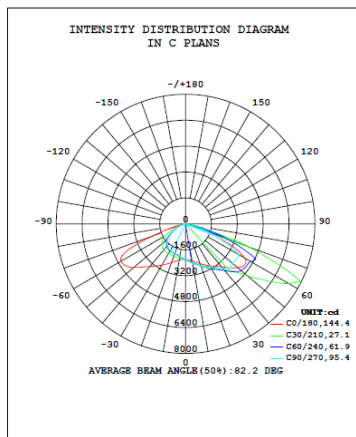


Part Number	A (Length)	B (Width)	C (Height)
TK-WPX2S	9.71 Inches	8.74 Inches	5.92 Inches
TK-WPX2M	12.78 Inches	12.78 Inches	5.92 Inches

Photometric

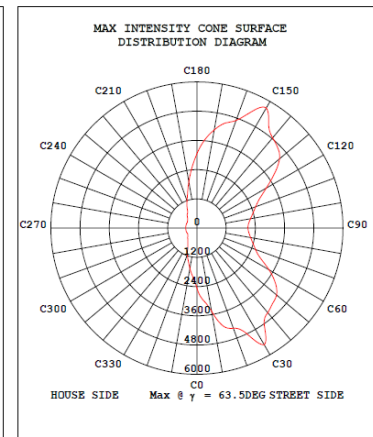
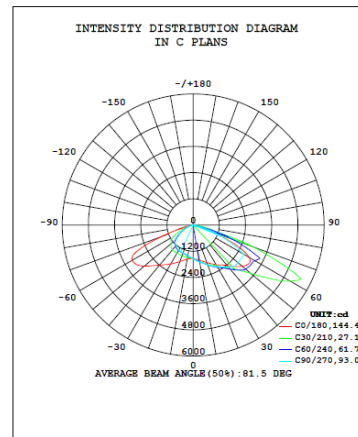
Medium 100W 5000K

DATA OF LAMP		PHOTOMETRIC DATA Eff: 135.82 lm/W			
MODEL		Imax(cd)	8133	η street_up(%)	0.0
NOMINAL POWER (W)	100	LOR(%)	100.0	η street_down(%)	70.3
RATED VOLTAGE (V)	120	TOTAL FLUX(lm)	13054	η house_up(%)	0.0
NOMINAL FLUX (lm)	13053.9	MAXIMUM @ (C, γ)	150,63.5	η house_down(%)	29.7
LAMPS INSIDE	1	η up(%)	0.0	76 FLASHAREA(m2)	
TEST VOLTAGE (V)	120.7	η down(%)	100.0	SLI	

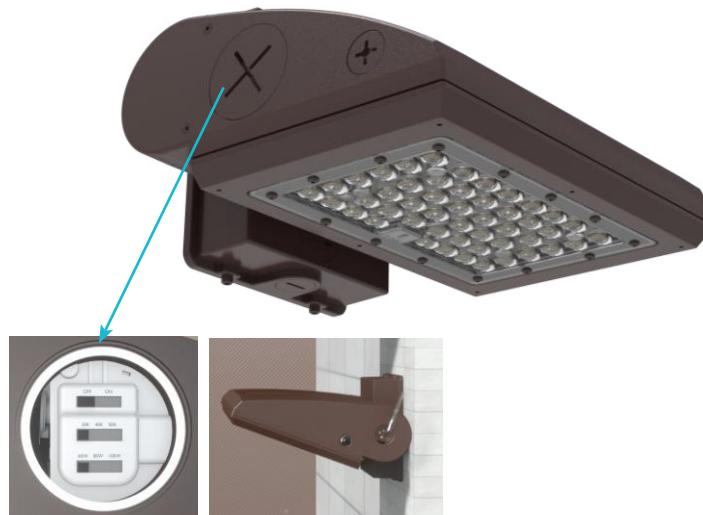


Medium 40W 5000K

DATA OF LAMP		PHOTOMETRIC DATA Eff: 145.58 lm/W			
MODEL		Imax(cd)	5695	η street_up(%)	0.0
NOMINAL POWER (W)	60	LOR(%)	100.0	η street_down(%)	70.3
RATED VOLTAGE (V)	120	TOTAL FLUX(lm)	9138	η house_up(%)	0.0
NOMINAL FLUX (lm)	9138	MAXIMUM @ (C, γ)	150,63.5	η house_down(%)	29.7
LAMPS INSIDE	1	η up(%)	0.0	76 FLASHAREA(m2)	
TEST VOLTAGE (V)	120.7	η down(%)	100.0	SLI	



CCT And Wattage Changeable Switch



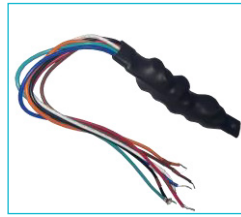
Optional Accessories



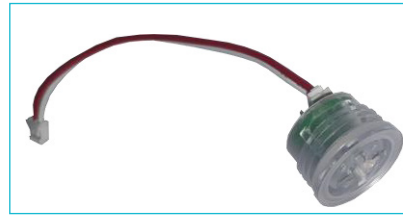
Outlet Box



9W EMBB



10KV SPD



Photocell



Dimmers

For Reference Only (Compatible Dimmer Listings)

The testing done by TekTron's does not mean or guarantee that the product meets the standards or certifications of any independent laboratory or other authority. For more details on the product's standards and certifications, please refer to the manufacturer specifications. Before installing the product, please check with the dimmer manufacturer to make sure they are compatible.

Manufacturer	Product/PartNumber	Part Number	Dimmed Light Output Range
Lithonia	Slide Dimmer, 0-10V DC, 1500W for LED and CFL Lighting, Single Pole, 3-Way Wiring, Allows on/offswitching without disturbing light level, Fits Standard Single or Multi-gang switch boxes.	ISD BC 120/277 WH	5% - 100%
Cooper	Slide Dimmer, 0-10V, 120/277VAC 60Hz, 1200/1600W for LED and CFL Lighting, Single Pole, 3-Way Operation, Commercial/Residential Application, Title 24 Compliant.	SF10P-W	5% - 100%
Lutron	Diva Dimmer, 0-10V, 120 to 277VAC 50/60Hz, 8 Amp, 2216W for LED and CFL Lighting, Single Pole, 3-Way Operation. Commercial/Residential, Indoor Application.	DVSTV-WH	5% - 100%
Leviton	IllumaTech Mark 7 Dimmer, 0-10V, 120/277VAC 60Hz, 1200/1500W for LED and CFL Lighting, Electro Mechanical Preset On/Off Switch, Single Pole, 3-Way Operation, Commercial/Residential Application.	IP710-DLZ	5% - 100%

Installation

1. Fix the installation J-BOX plate



2. Fix the aircraft cable and wires



3. Fix the fixture.

