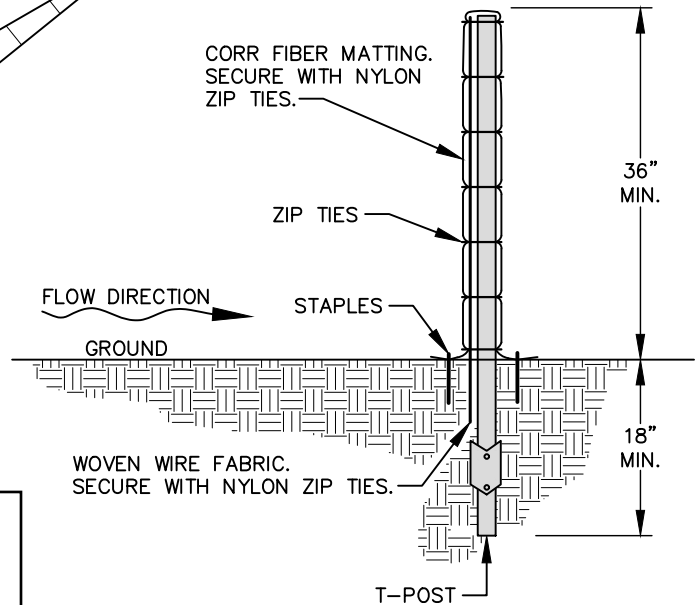


- NOTES:**
1. DRIVE STEEL FENCE POST AT LEAST 18 INCHES INTO SOLID GROUND.
 2. WOOD POST ARE NOT ACCEPTABLE.
 3. DIRECT WATER TO TOP OF BASIN USING STABILIZED DITCH, SLOPE DRAIN PIPE OR OTHER APPROVED METHOD.

- MAINTENANCE NOTES:**
1. REMOVE SEDIMENT WHEN HALF HEIGHT OF FIRST BAFFLE AND RESTORE TO ORIGINAL DIMENSIONS.
 2. REPAIR OR REPLACE MEASURES IMMEDIATELY WHEN DEFICIENCIES FOUND.
 3. SILT BAG REQUIRED WHEN DEWATERING BASIN.

BAFFLE DETAIL



PERSPECTIVE VIEW

- STABILIZATION NOTES:**
1. STABILIZE EMBANKMENT, INTERIOR & EXTERIOR BASIN SLOPES, AND DISTURBED SOILS BETWEEN BASIN AND SITE PERIMETER.
 2. EROSION OF BASIN EMBANKMENT AND SLOPES MUST BE REPAIRED AND RESTABILIZED IMMEDIATELY WHEN FOUND.



STANDARD SKIMMER BASIN

DETAIL NUMBER
2018-015
SHEET 1 of 3