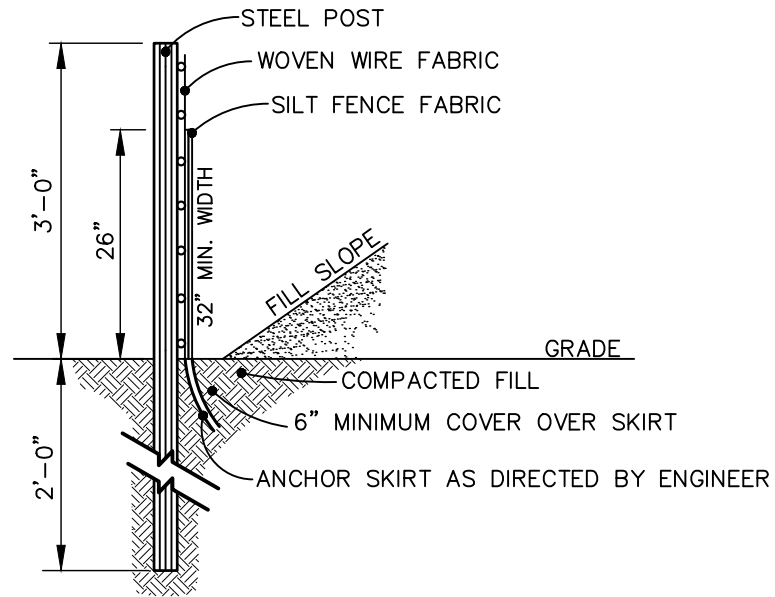


**MAINTENANCE NOTES:**

1. REMOVE SEDIMENT WHEN HALF HEIGHT OF SILT FENCE.
2. REPAIR OR REPLACE FENCE IMMEDIATELY WHEN TEARS, HOLES, SAGGING, COLLAPSE, OR OTHER DEFICIENCIES FOUND.
3. THE DESIGN LIFE OF A SYNTHETIC SILT FENCE IS APPROXIMATELY 6 MONTHS. DETERIORATED SILT FENCE MUST BE REPLACED.

**GENERAL NOTES:**

1. USE SILT FENCE ONLY WHEN DRAINAGE AREA DOES NOT EXCEED 1/4 ACRE PER 100 LINEAR FT. OF FENCE AND NEVER IN AREAS OF CONCENTRATED FLOW SUCH AS STREAMS, DITCHES, OR WATERWAYS.
2. NEVER INSTALL SILT FENCE IN WETLANDS UNLESS APPROVAL HAS BEEN RECEIVED TO DO SO FROM APPROPRIATE AGENCIES.
3. OVERLAP 12 INCHES WHEN SPLICING FABRIC.
4. CURL EACH END OF FENCE UPHILL IN A "J" PATTERN TO PREVENT END FLOW.
5. ANCHORING OF TOE OF FENCE SHOULD BE REINFORCED WITH 12 INCHES OF NCDOT #5 OR #57 WASH STONE WHEN FLOW WILL RUN PARALLEL TO TOE OF FENCE.
6. FOR REPAIR OF SILT FENCE FAILURES, USE SILT FENCE OUTLET DETAIL 2018-014.
7. HAY BALES ARE NOT A SUBSTITUTE FOR SILT FENCE.



# STANDARD SILT FENCE

DETAIL NUMBER

2018-013  
SHEET 1 of 1