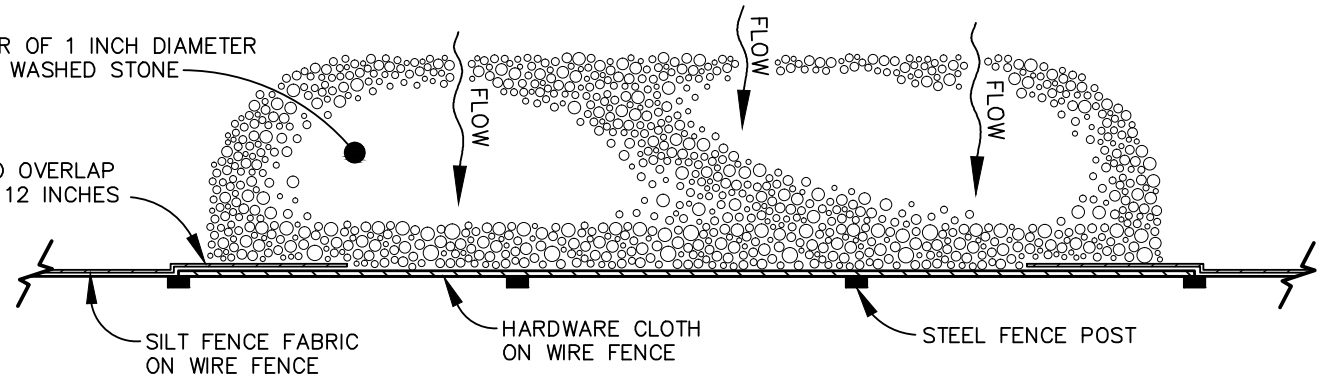


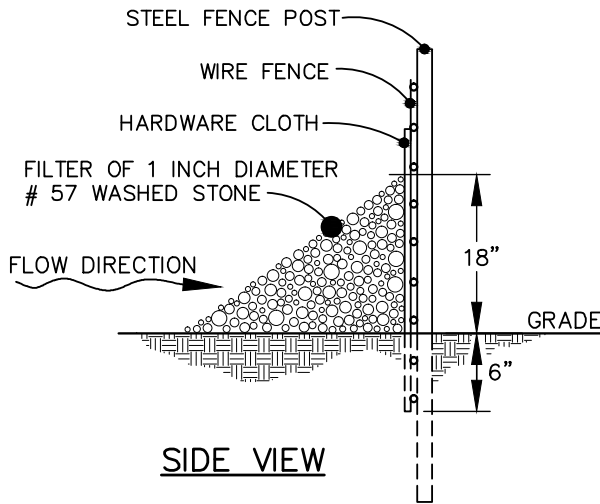
FILTER OF 1 INCH DIAMETER
57 WASHED STONE

NOTE:
SILT FENCE FABRIC TO OVERLAP
HARDWARE CLOTH BY 12 INCHES

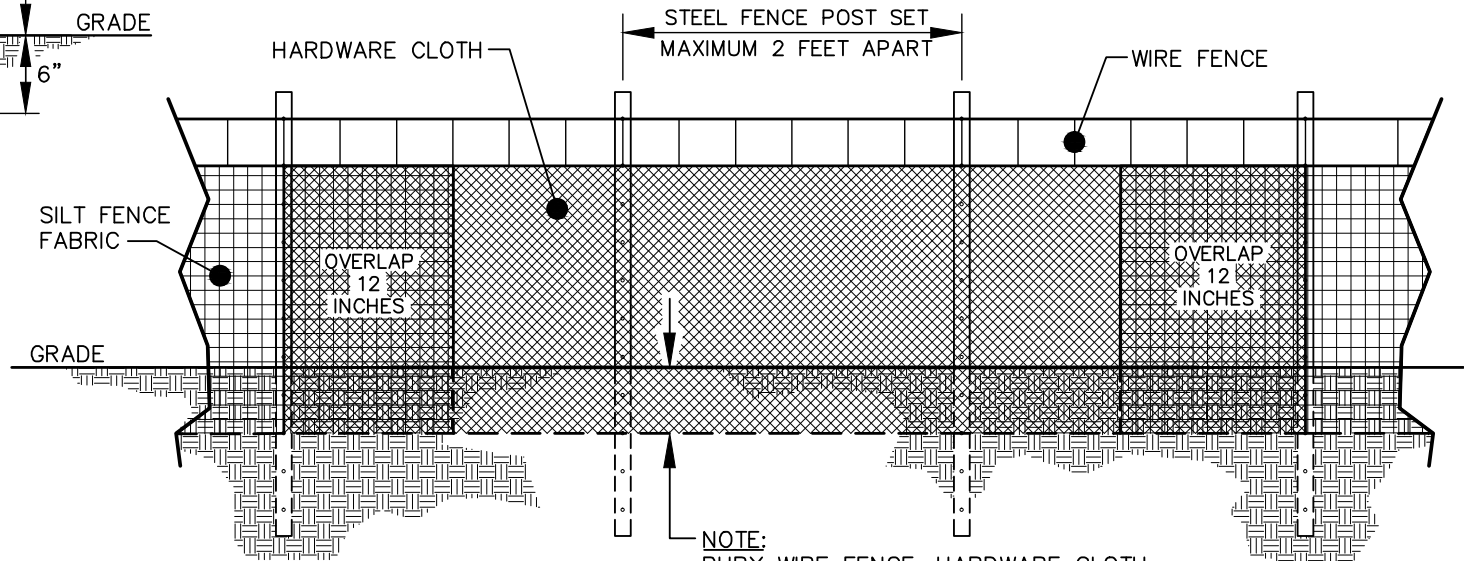


PLAN VIEW

NOTE:
USE SILT FENCE OUTLETS ONLY WHEN
DRAINAGE AREA DOES NOT EXCEED 1/4
ACRE AND THERE IS A LOW AREA. USE
AS A REPAIR OF SILT FENCE FAILURES.



SIDE VIEW



FRONT VIEW

NOTE:
BURY WIRE FENCE,
HARDWARE CLOTH,
AND SILT FENCE FABRIC 6 INCHES INTO
THE TRENCH

MAINTENANCE NOTES:
1. REMOVE SEDIMENT WHEN
HALF HEIGHT OF STONE.
REFRESH STONE THAT
BECOMES CLOGGED WITH
SEDIMENT/DEBRIS.
2. REPAIR OR REPLACE FENCE
AND HARDWARE CLOTH
IMMEDIATELY WHEN
DEFICIENCIES FOUND.



STANDARD SILT FENCE OUTLET

DETAIL NUMBER

2018-014
SHEET 1 of 1