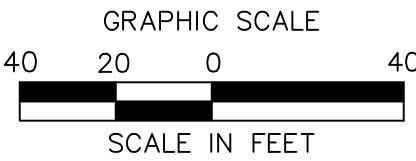


PROPOSED COMMERCIAL BUILDING
338,013 S.F.
FFE=196.00

PEA RIDGE ROAD
 (STATE RT. 1972 -
 VARIABLE R.O.W. WIDTH)

PEA RIDGE ROAD
 (STATE RT. 1972 -
 VARIABLE R.O.W. WIDTH)



NOT FOR CONSTRUCTION
FOR PERMITTING PURPOSES ONLY



3825 Columbus Road
 Greenville, OH 45403
 (800) 931-6517

PRELIMINARY
 NOT FOR
 CONSTRUCTION

PROPOSED COMMERCIAL DEVELOPMENT
ECO TIP WEST - LOT 1
 338 PEA RIDGE ROAD
 MONCURE, CHATHAM COUNTY, NORTH CAROLINA

Revisions

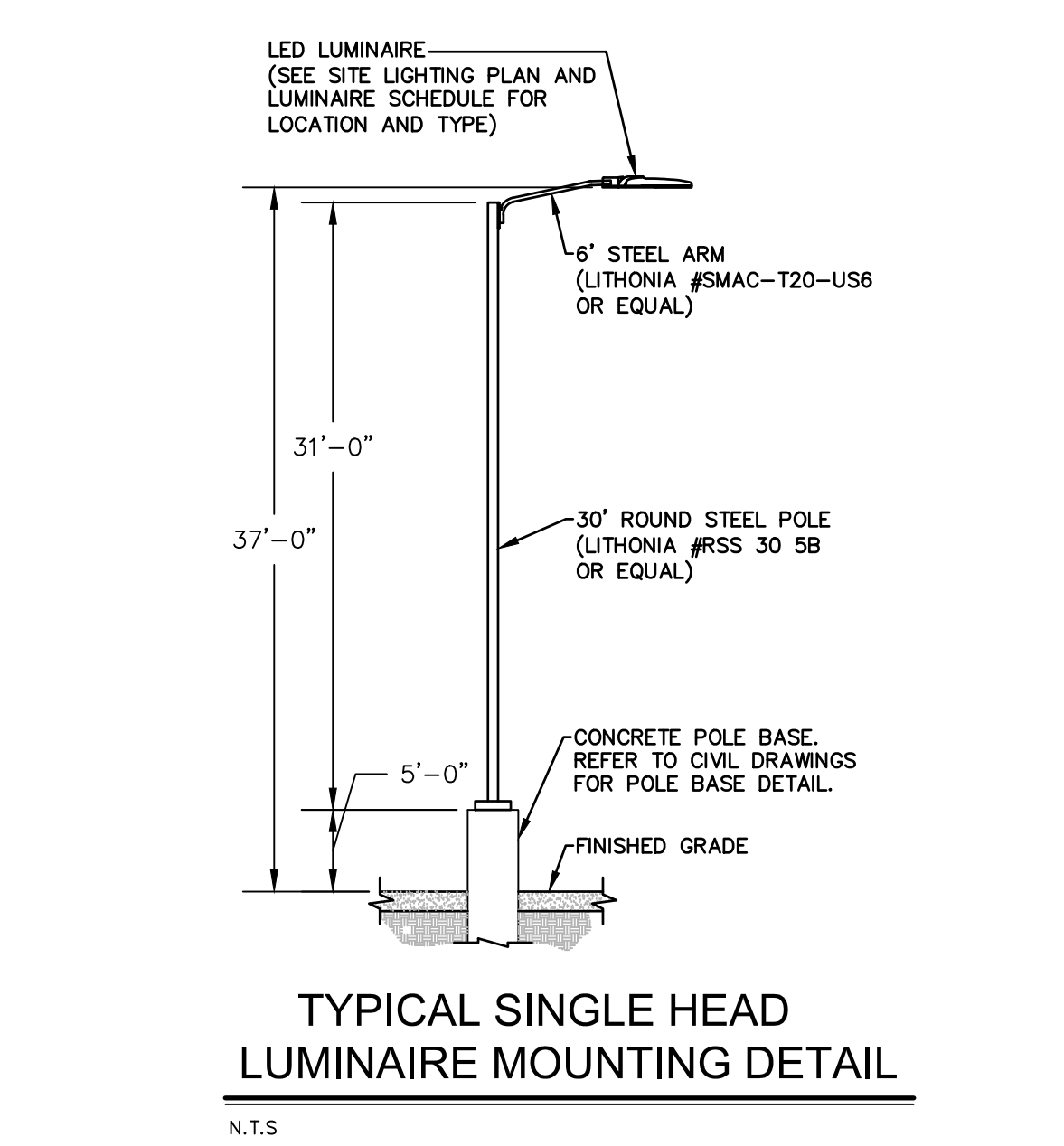
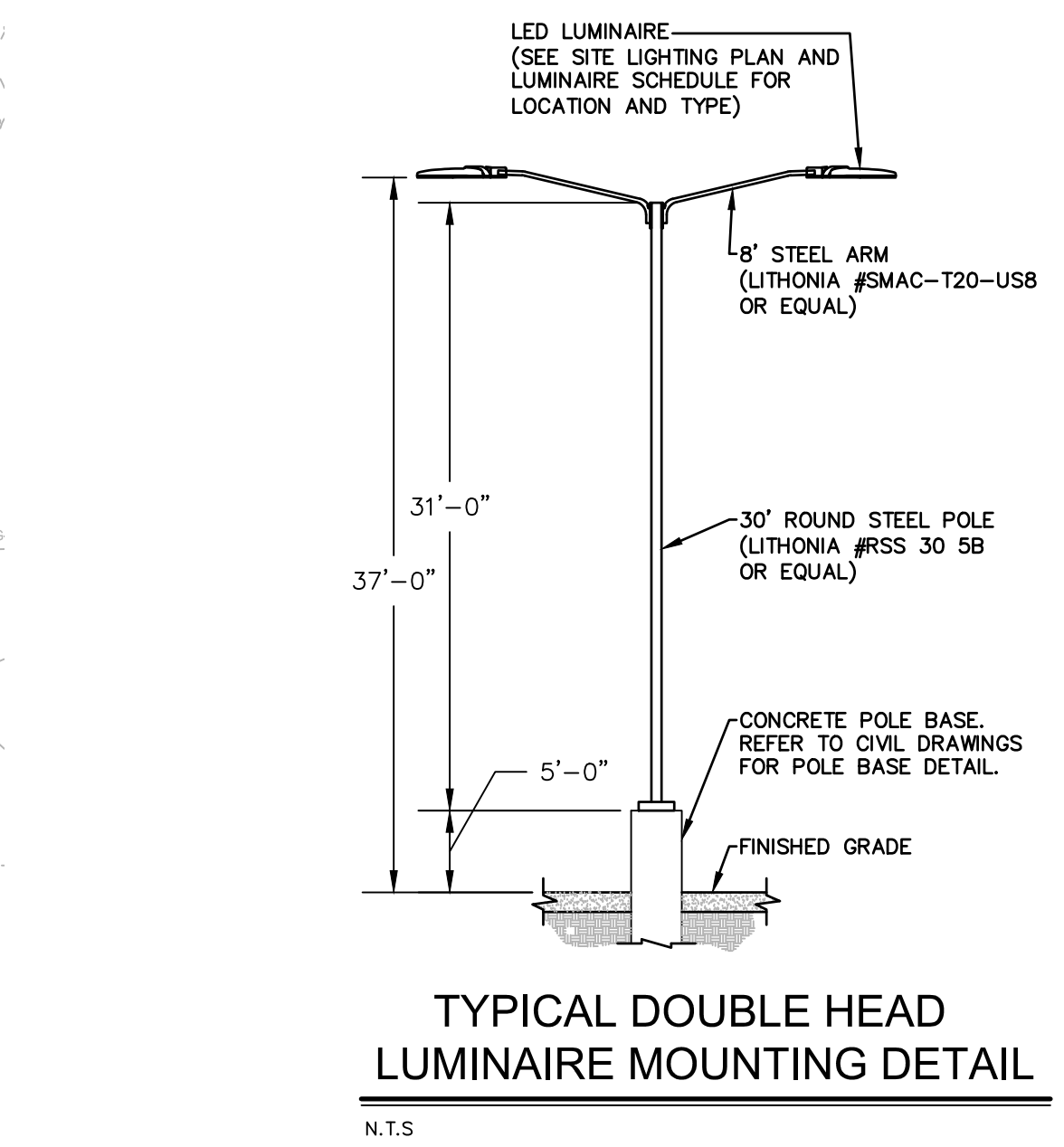
No.	Date	Description

Designed by: **HOLOPHANE**
 Drawn by: **HOLOPHANE**
 Reviewed by: **HOLOPHANE**
 Scale: 1"=60'
 Project No.: 2101465
 Date: 10/15/2021
 CAD File: LP210146501-BY OTHERS

Title: **LIGHTING PLAN**

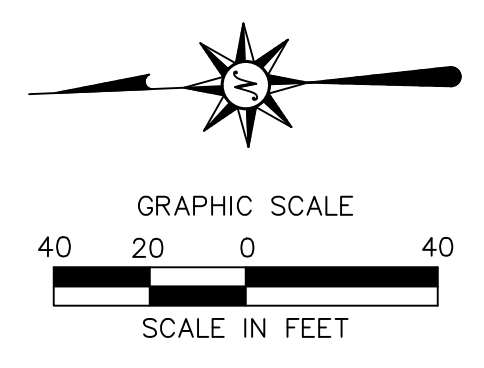
Sheet No.

LP-1



Symbol	Label	Image	Quantity	Manufacturer	Catalog Number	Description	Number Lamps	Lumens Per Lamp	Light Loss Factor	Wattage	Plot
⊗	C		40	Holophane	PPSQL2 P20 40K/50K XX GL AS	Holophane ParkPak Square LED, LED Performance Package P20, 33W, 4000K/5000K CCT, Voltage, Borosilicate glass lens, Asymmetric	1	3439	0.9	33	 Max: 1312cd
□	WP		17	Holophane	HLWPC2 P10 40K XX T4M	Wallpack Full Cutoff LED, LED Performance Package P10, 4000 Series CCT, Voltage, Type IV Medium	1	3079	0.9	28	 Max: 2312cd
□	B		16	Holophane	MGLDEM P2 40K XXXXX AG	Mongoose Medium, P2 Performance Package, 4000K, Area (Type 5) with Refractor	1	19776	0.9	251.12	 Max: 8230cd
□	D		1	Holophane	MGLDEM P2 40K XXXXX FT	Mongoose Medium, P2 Performance Package, 4000K, Forward Throw (Type 4)	1	19882	0.9	251.12	 Max: 10899cd
□	E		2	Holophane	MGLDEM P7 40K XXXXX AR	Mongoose Medium, P7 Performance Package, 4000K, Area (Type 5)	1	39412	0.9	764.76	 Max: 20162cd
□	F		32	Holophane	MGLDEM P3 40K XXXXX FT	Mongoose Large, P3 Performance Package, 4000K, Forward Throw (Type 4)	1	44310	0.9	337	 Max: 25581cd
□	G		8	Holophane	MGLDEM P6 40K XXXXX FT	Mongoose Medium, P6 Performance Package, 4000K, Forward Throw (Type 4)	1	33480	0.9	460.46	 Max: 18337cd
□	AB		5	Holophane	MGLDEM P1 40K XXXXX MG	Mongoose Medium, P1 Performance Package, 4000K, Medium Roadway with Refractor	1	15496	0.9	104.9	 Max: 9393cd

NOT FOR CONSTRUCTION
FOR PERMITTING PURPOSES ONLY



PRELIMINARY
NOT FOR
CONSTRUCTION

**PROPOSED COMMERCIAL DEVELOPMENT
ECO TIP WEST - LOT 1
338 PFA RIDGE ROAD
MONCURE, CHATHAM COUNTY, NORTH CAROLINA**

Revisions:
No. _____ Date _____

Designed: HOLOPHANE
Drawn: HOLOPHANE
Reviewed: HOLOPHANE
Scale: 1"=60'
Project No.: 2101465
Date: 10/15/2021
CAD File: LP210146501-BY OTHERS

Title: LIGHTING PLAN

Sheet No. _____