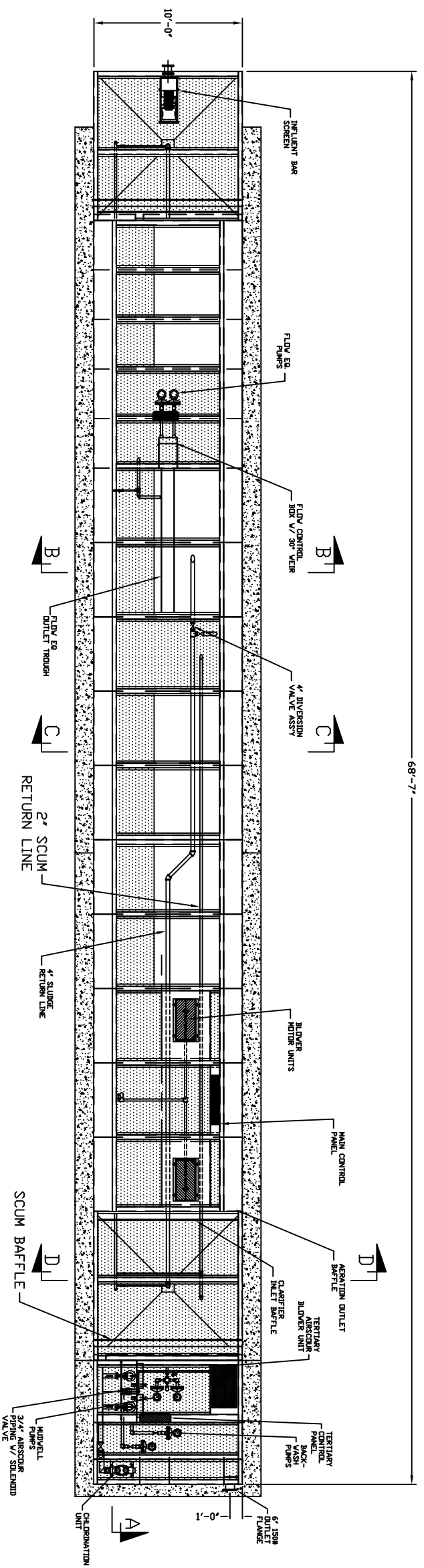
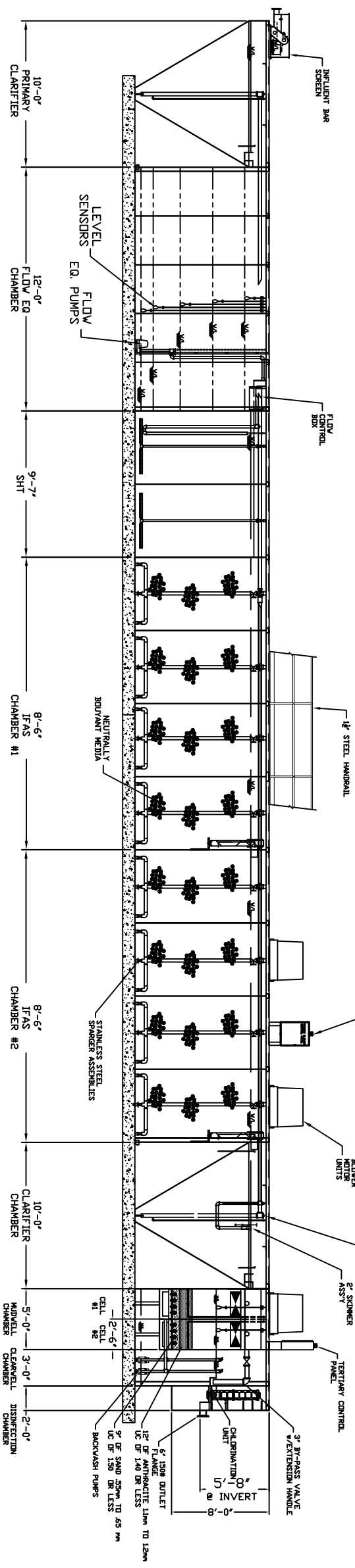


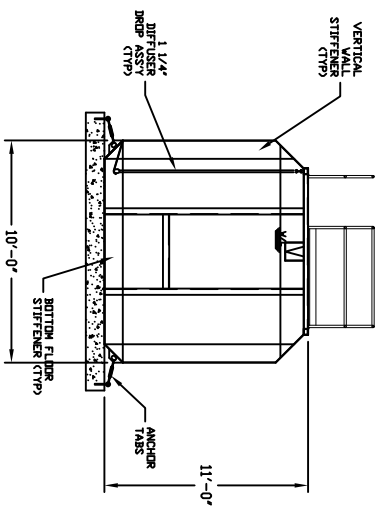
Exhibit J.3



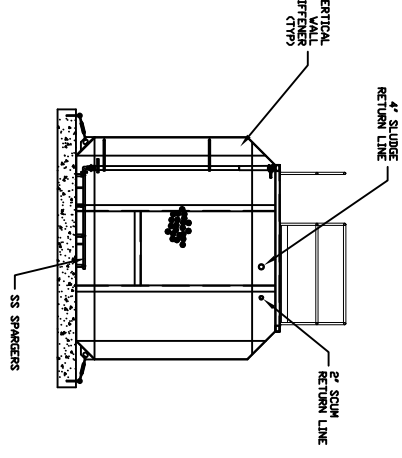
PLAN



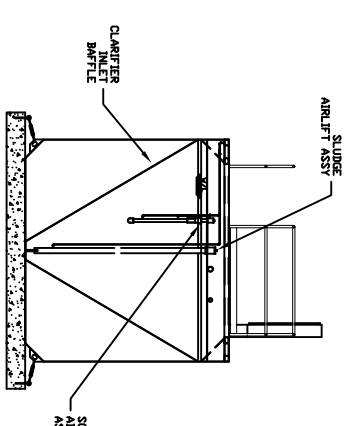
SECTION "A-A"
ELEVATION



SECTION 'B-B'
S.H.T. CHAMBER



SECTION 'C-C'
IFAS CHAMBER



SECTION 'D-D'
CLARIFIER CHAMBER

DISTRIBUTION STATEMENT
THE DESIGN AND DETAIL OF THIS DRAWING
ARE THE PROPERTY OF AQUAPPOINT
AND ARE NOT TO BE USED EXCEPT IN
CONNECTION WITH OUR WORK. DESIGN AND
INVENTION RIGHTS ARE RESERVED. NO FURTHER
DUPLICATION NOR DISTRIBUTION OF THIS
DOCUMENT ARE PERMITTED WITHOUT PRIOR
WRITTEN PERMISSION.

<h1 style="margin: 0;">AQUAPOINT</h1>	
39 TARKLIN PLACE NEW BEDFORD, MA 02745	
(508) 985-9050 FAX (508) 985-9072	
TITLE: CHATHAM COUNTY, NORTH CAROLINA	
DRAWING NO: 182115-201	
REVISION: 0	
DATE: 5/21/18	
DWN BY: R. WOLF <i>RJ</i>	
SCALE: NTS	SIZE:
SHEET # 1 OF 1	